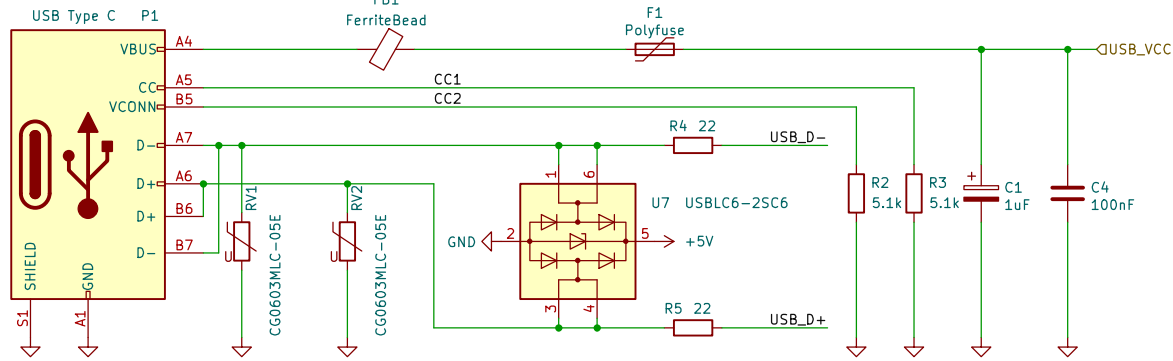
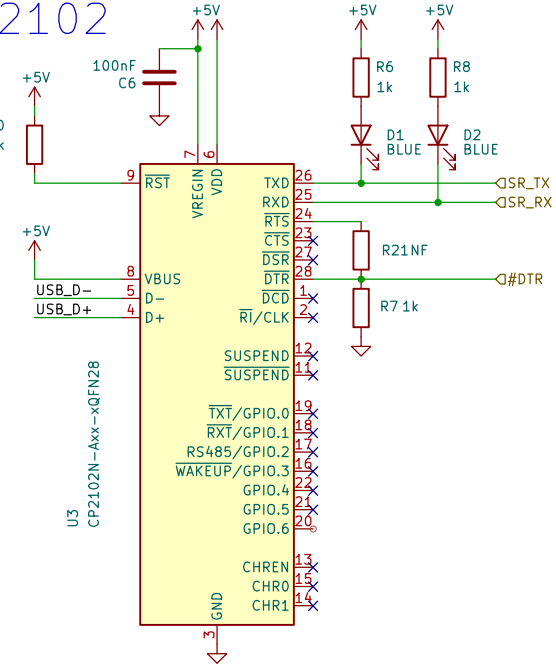


Axiometa	
Sheet: /	
File: Axiometa_Spark.kicad_sch	
Title: Axiometa Spark – TOP LEVEL	
Size: A4	Date: 2025-02-27
KiCad E.D.A. 8.0.5	Rev: R6
	Id: 1/4

USB Input



CP2102



Axiometa

Sheet: /USB/
File: USB.kicad_sch

Title: Axiometa Spark - USB Input

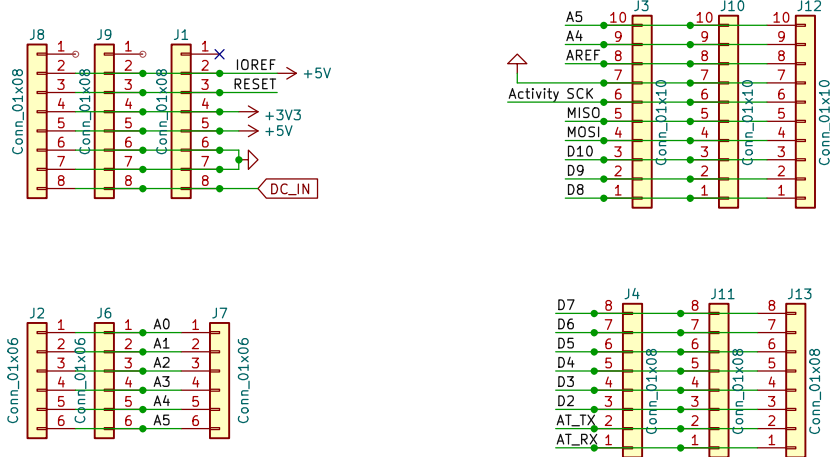
Size: A4 Date: 2025-02-27

KiCad E.D.A. 8.0.5

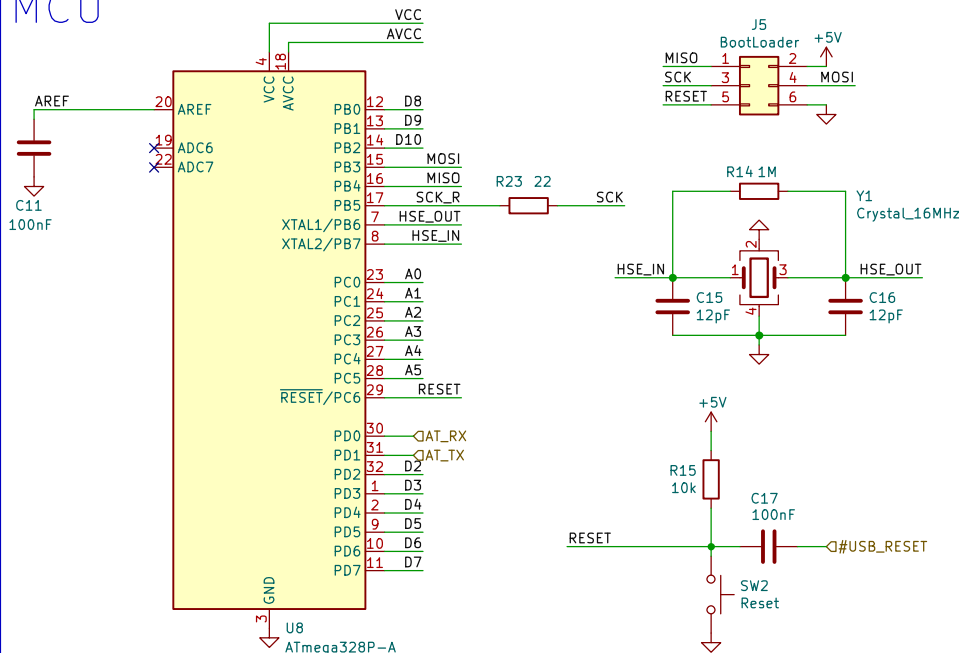
Rev: R6

Id: 2/4

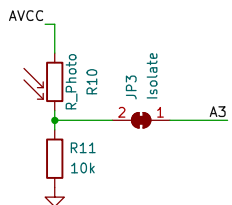
IO Pins



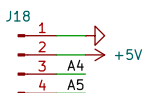
MCU



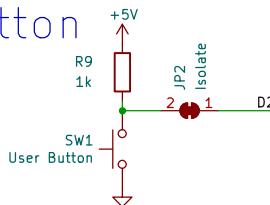
LDR



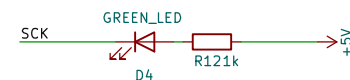
I2C Expansion



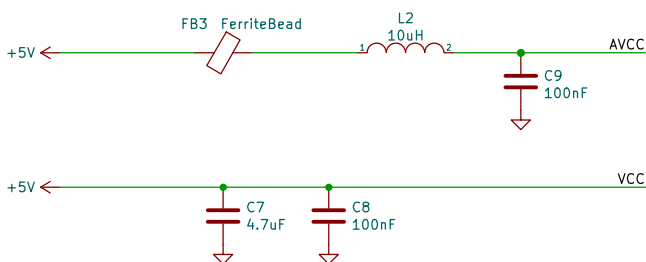
User Button



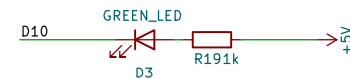
ACT LED



Voltage Filtering / Decoupling



PWM LED



Axiometa

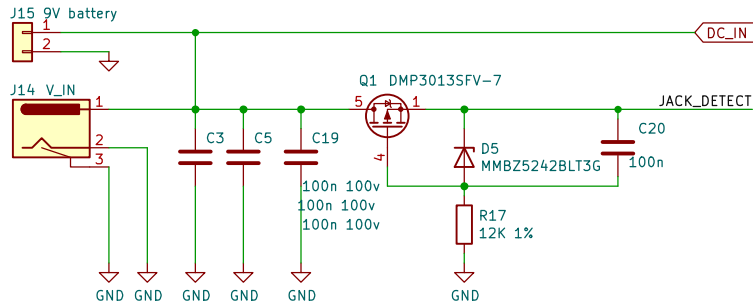
Sheet: /MCU/
File: MCU.kicad_sch

Title: Axiometa Spark - MCU

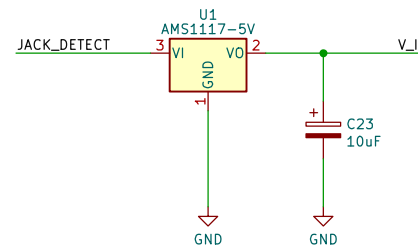
Size: A4 Date: 2025-02-27
KiCad E.D.A. 8.0.5

Rev: R6
Id: 3/4

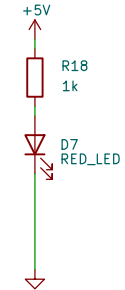
V_IN



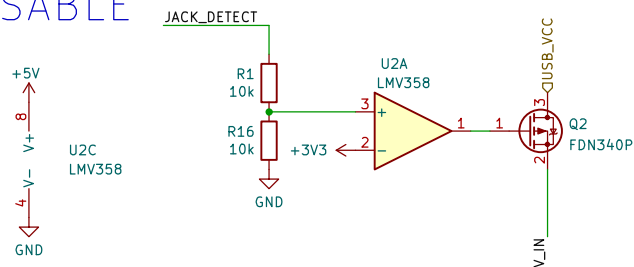
5V



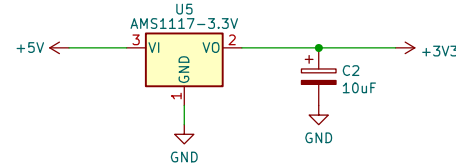
Power LED



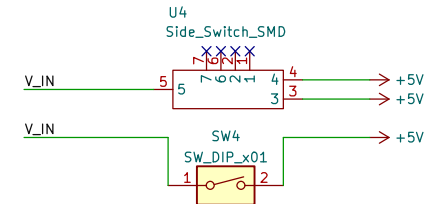
USB_DISABLE



3.3V



Power switch



Axiometra

Sheet: /PSU/
File: PSU.kicad_sch

Title: Axiometra Spark - PSU

Size: A4 Date: 2025-02-27

KiCad E.D.A. 8.0.5

Rev: R6

Id: 4/4