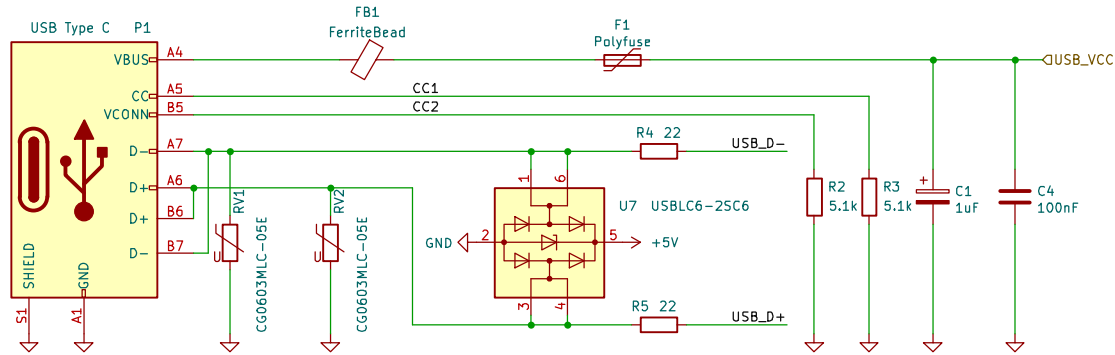
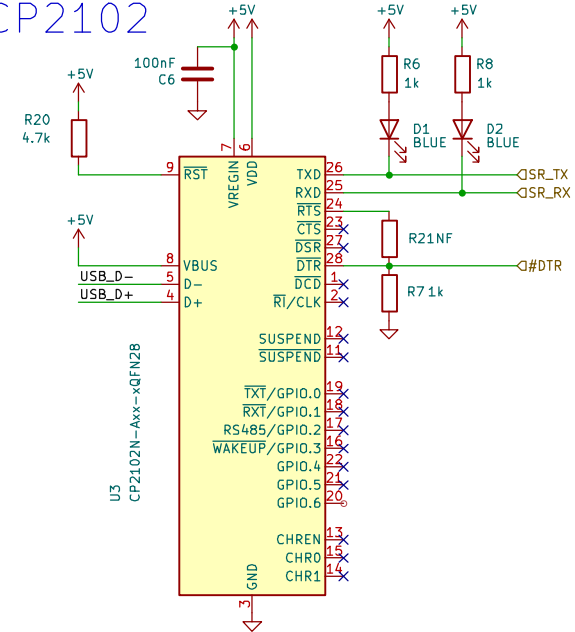


<b>Axiometa</b>	
Sheet: /	
File: AxioMeta Spark (SMD).kicad_sch	
<b>Title: Axiometa Spark 1S – TOP LEVEL</b>	
Size: A4	Date: 2024-09-09
KiCad E.D.A. 8.0.5	Rev: R5
	Id: 1/4

# USB Input



# CP2102



Axiometra

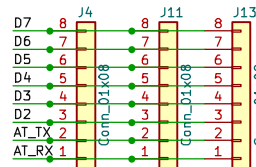
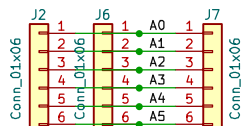
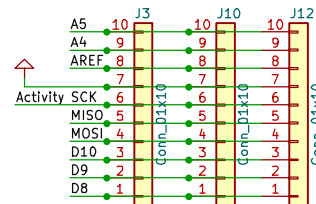
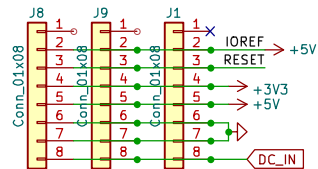
Sheet: /USB/  
File: USB.kicad\_sch

Title: Axiometra Spark 1S - USB Input

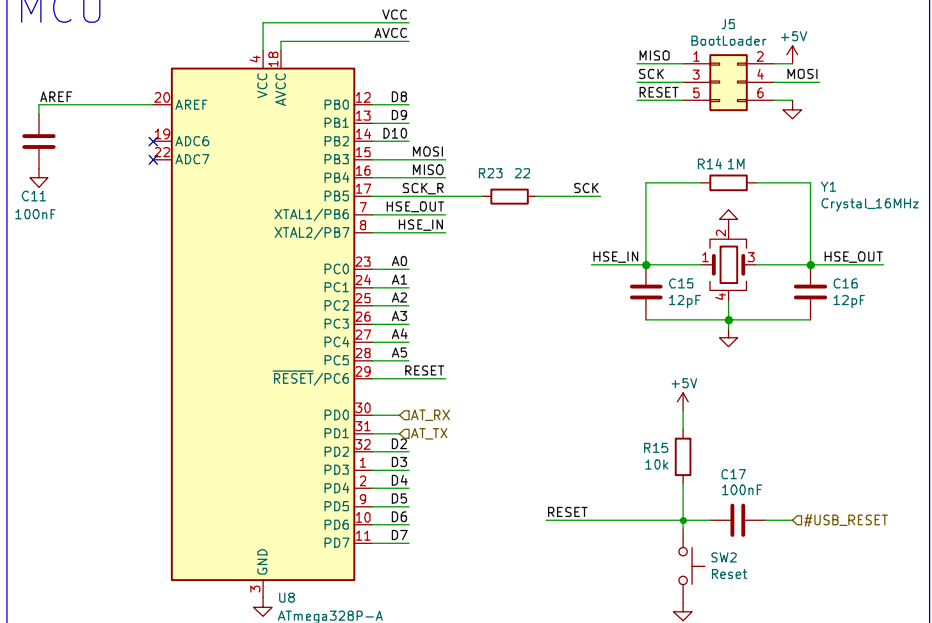
Size: A4 Date:  
KiCad E.D.A. 8.0.5

Rev: R5  
Id: 2/4

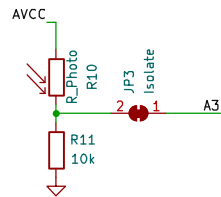
# IO Pins



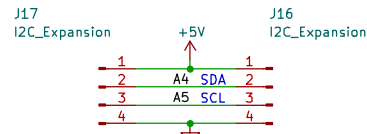
# MCU



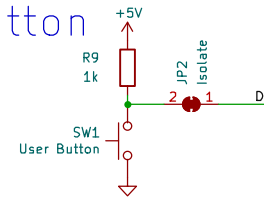
# LDR



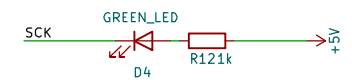
# I2C Expansion



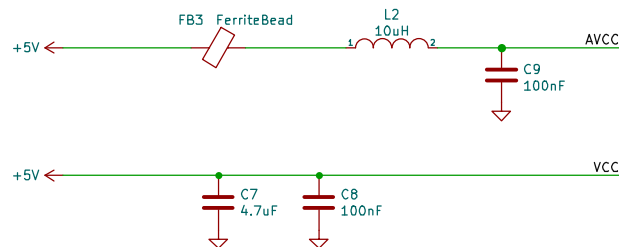
# User Button



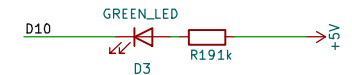
# ACT LED



# Voltage Filtering /Decoupling



# PWM LED



Axiometra

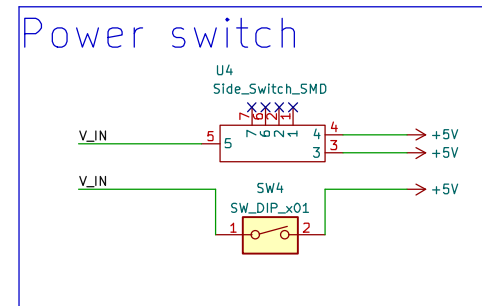
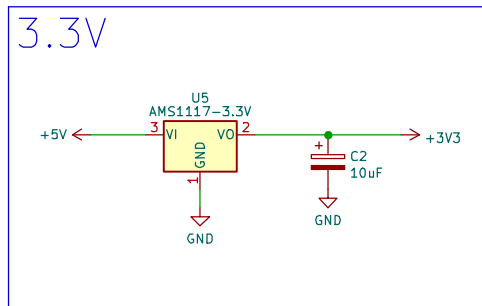
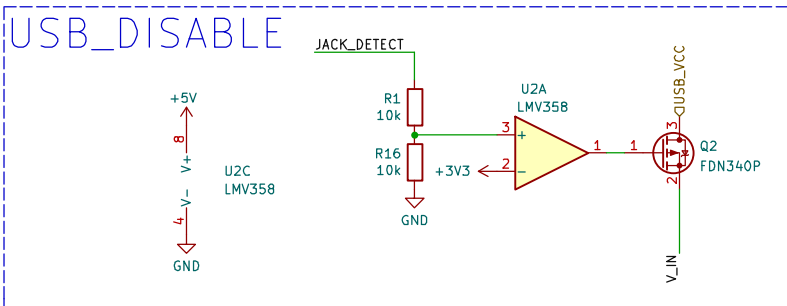
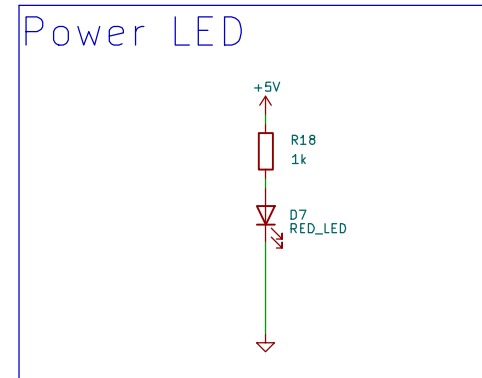
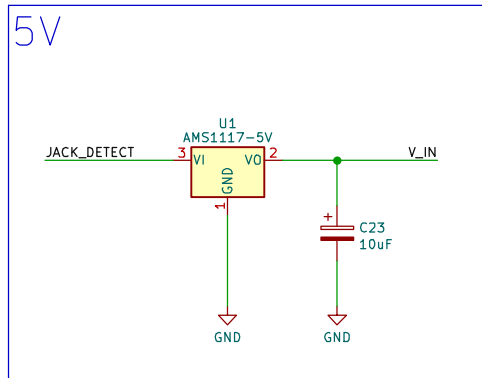
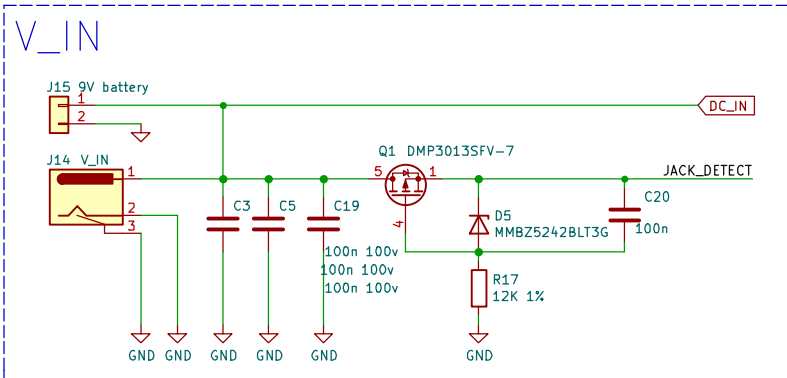
Sheet: /MCU/  
File: MCU.kicad\_sch

Title: Axiometra Spark 1S - MCU

Size: A4  
KiCad E.D.A. 8.0.5

Date:

Rev: R5  
Id: 3/4



Axiometra

Sheet: /PSU/

File: PSU.kicad\_sch

Title: Axiometra Spark 1S - PSU

Size: A4

Date:

Rev: R5

KiCad E.D.A. 8.0.5

Id: 4/4