

Axiometa

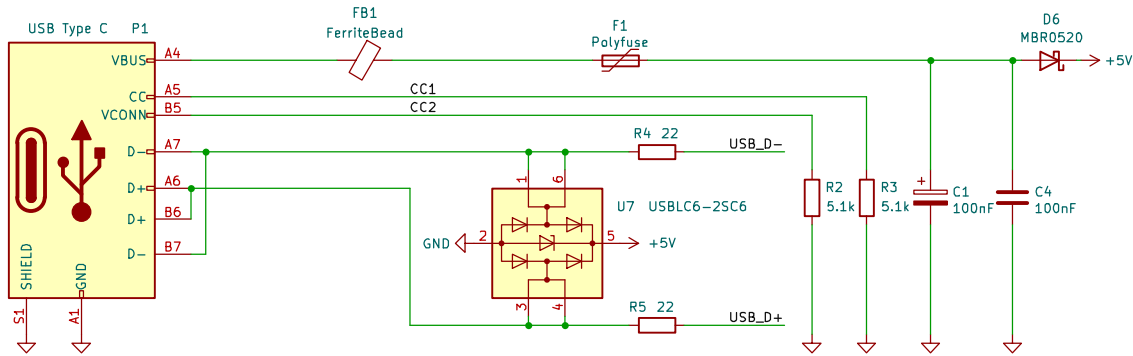
Sheet: /
File: Sparklet.kicad_sch

Title: Axiometa Sparklet – TOP LEVEL

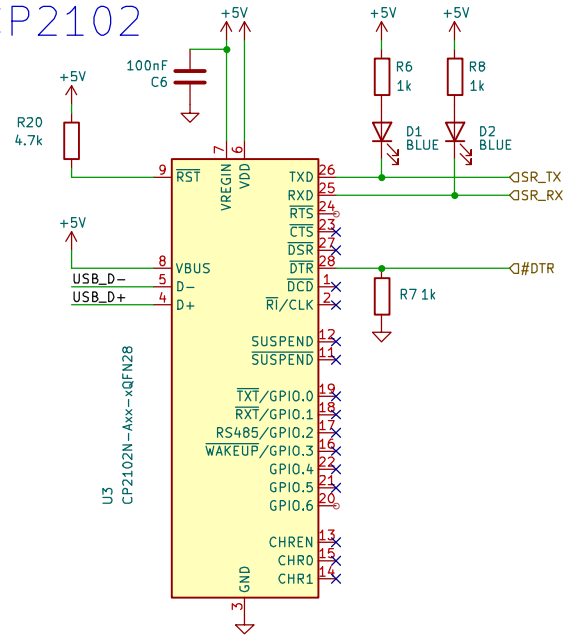
Size: A4 Date: 2024-11-16
KiCad E.D.A. 8.0.5

Rev: R1
Id: 1/3

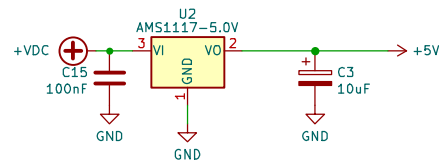
USB Input



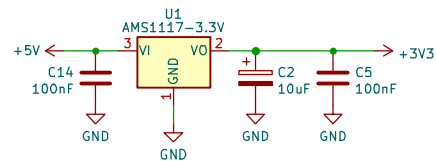
CP2102



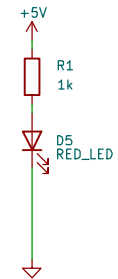
5.0V



3.3V



Power LED



Axiometa

Sheet: /USB/
File: USB.kicad_sch

Title: Axiometa Sparklet - USB

Size: A4

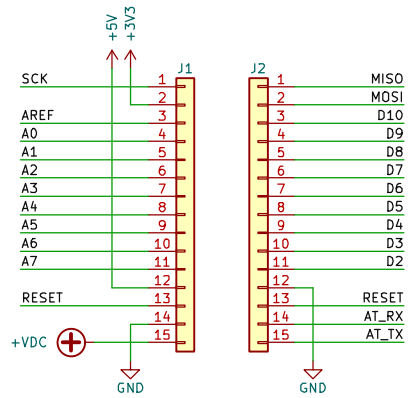
Date:

Rev: R1

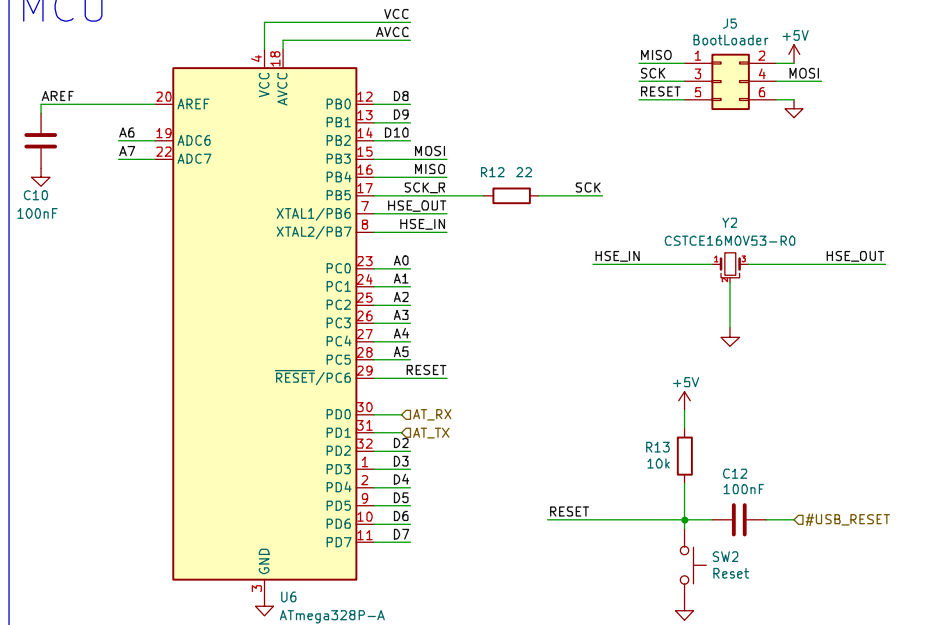
KiCad E.D.A. 8.0.5

Id: 2/3

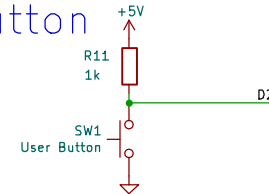
IO Pins



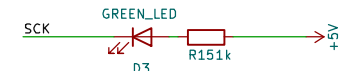
MCU



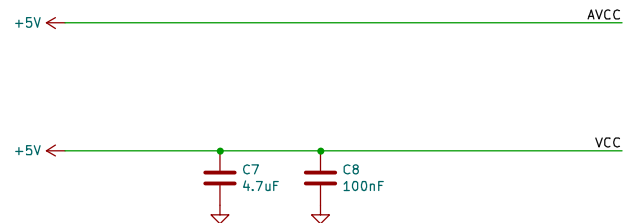
User Button



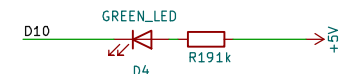
ACT LED



Voltage Filtering /Decoupling



PWM LED



Axiometta

Sheet: /MCU/
File: MCU.kicad_sch

Title: Axiometta Sparklet - MCU

Size: A4
KiCad E.D.A. 8.0.5

Date:

Rev: R1
Id: 3/3