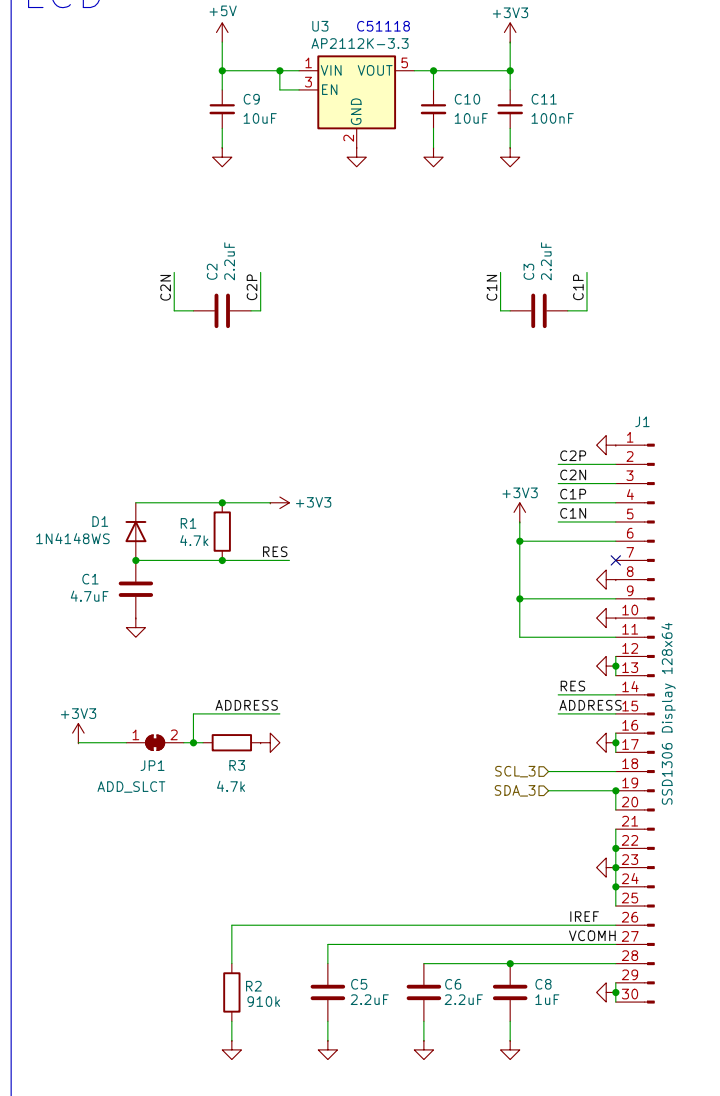


LCD



Axiometa	
Sheet: /	
File: OLED_I2CSHIFT.kicad_sch	
Title: OLED 126x64 - AXM0010	
Size: A4	Date: 2024-11-12
KiCad E.D.A. 8.0.5	Rev: 1
	Id: 1/1