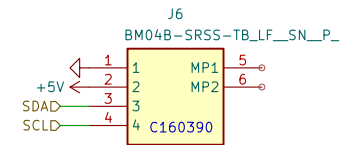
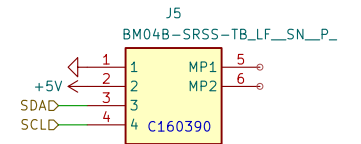
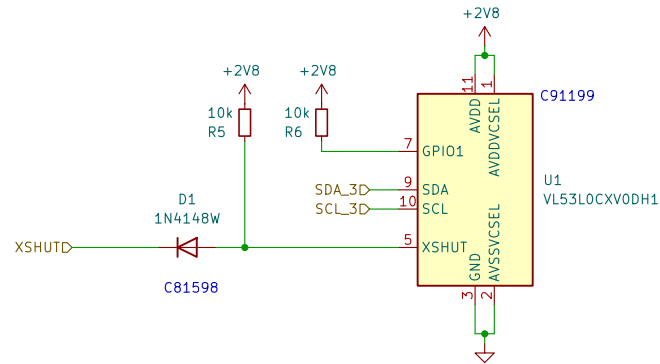
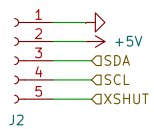
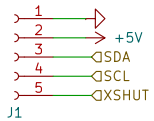


C5224290  
SOT-363



Axiometa

Sheet: /

File: ToF\_VL53L0CX.kicad\_sch

**Title: ToF VL53L0CXV0DH1 - AXM0015**

Size: A4

Date: 2024-11-12

Rev: 1

KiCad E.D.A. 8.0.5

Id: 1/1