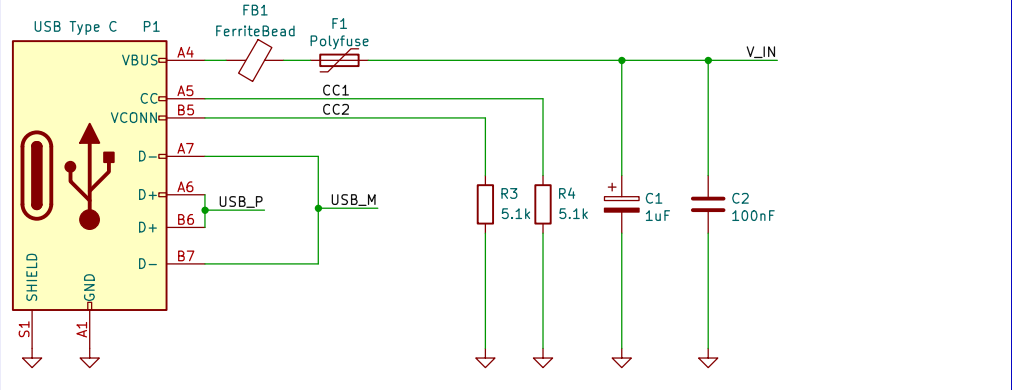
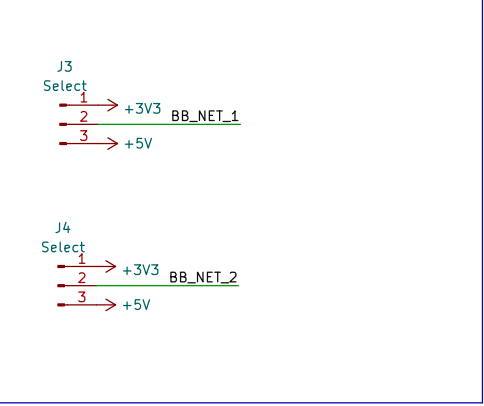


USB Input



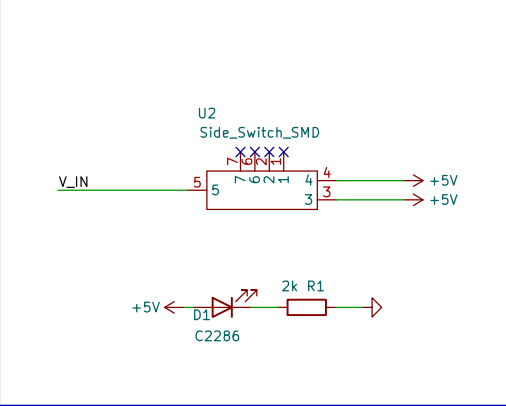
SELECT



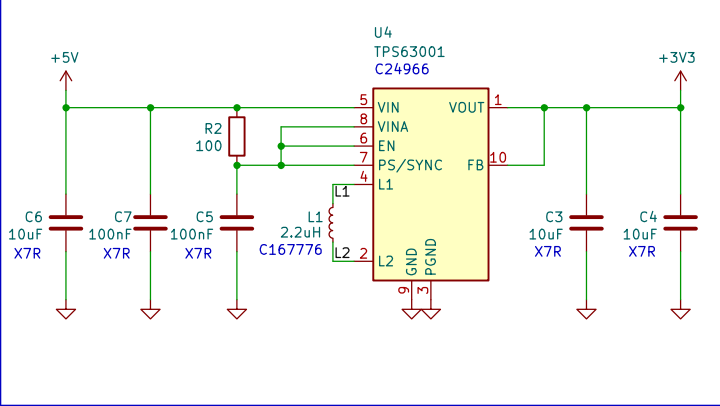
OUTPUT



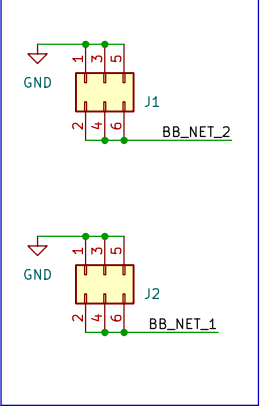
Power switch



3.3V



OUTPUT



AXMT-PRH0001
Axiometa
 Sheet: /
 File: BrodBoost-C.kicad_sch
Title: BrodBoost-C
 Size: A4 Date: 2025-01-21
 KiCad E.D.A. 8.0.5

Rev:
 Id: 1/1