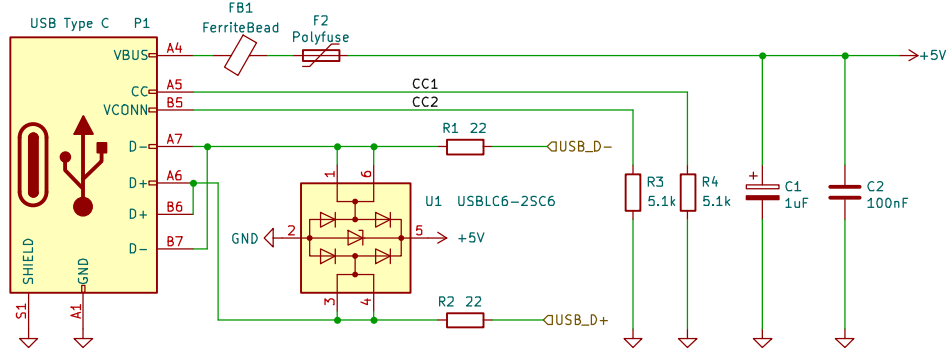
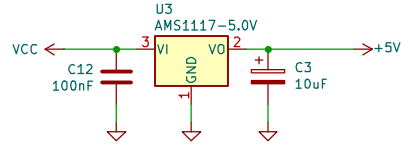


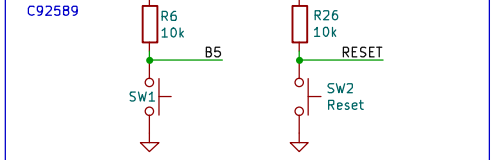
USB Input



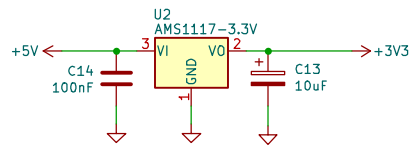
5.0V



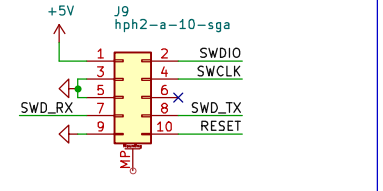
BTN



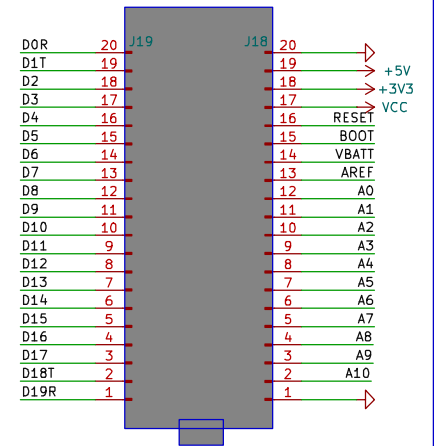
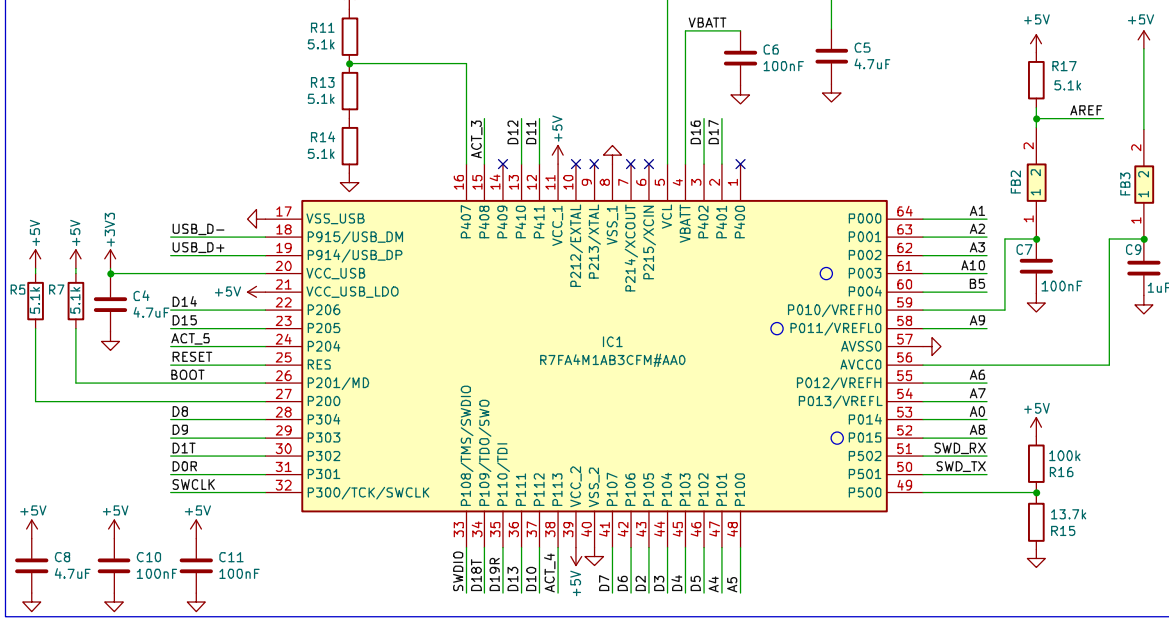
3.3V



SWD

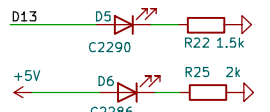


MCU



LEDs

Unused
ACT_3
ACT_4
ACT_5



I2C

