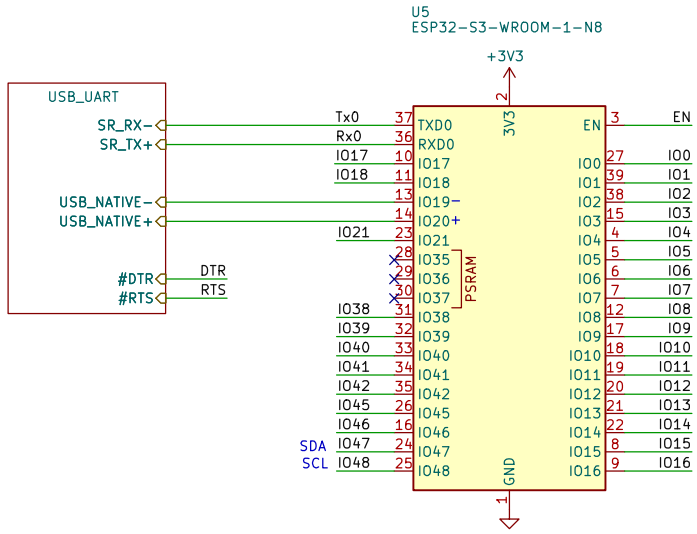
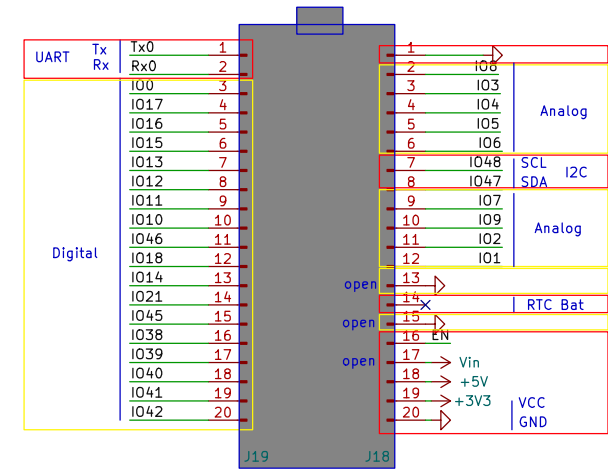


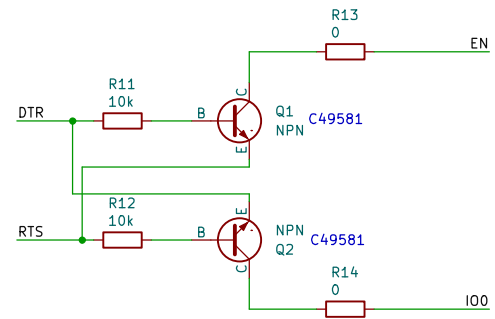
# UART/USB/ESP



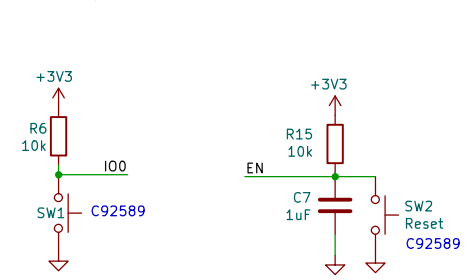
# PINOUT



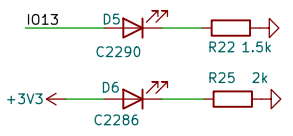
# Auto-Reset



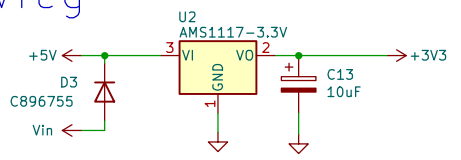
# Boot/Reset



# LEDs



# Vreg

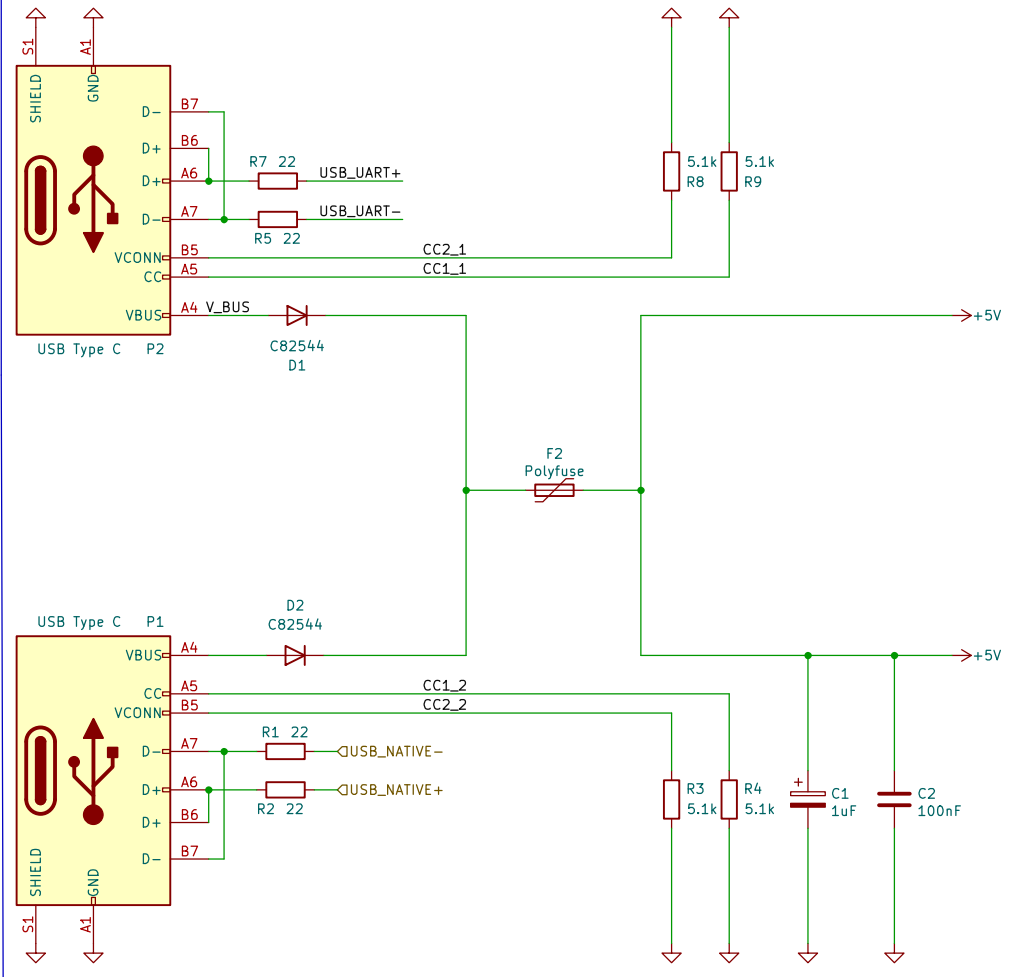


Main  
**Axiometa**  
 Sheet: /  
 File: AxiometaCoreWiFi.kicad\_sch

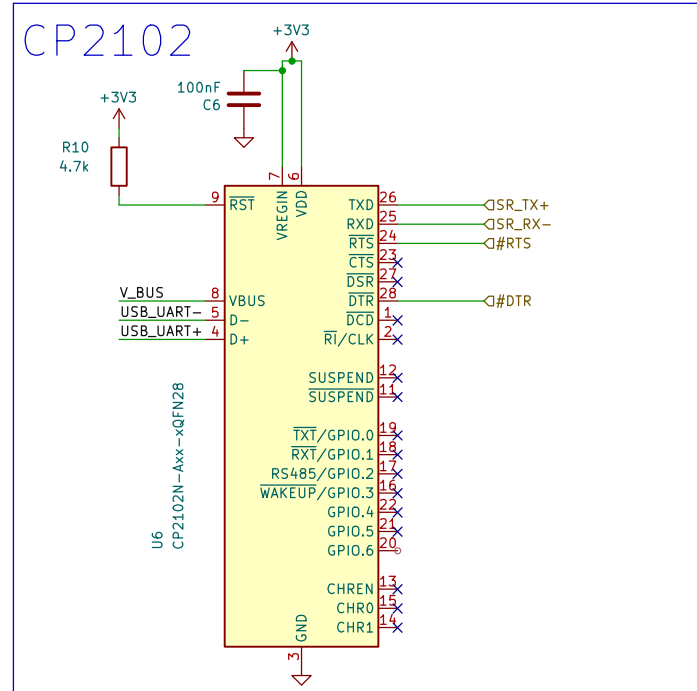
**Title: Axiometa Core WiFi (ESP32-S3) - MTA0006**

Size: A4	Date: 2025-01-09	Rev: R1
KiCad E.D.A. 8.0.5		Id: 1/2

# USB Input



# CP2102



USB-C  
Axiometa

Sheet: /USB\_UART/  
File: USB\_UART.kicad\_sch

**Title: Axiometa Core WiFi (ESP32-S3) - MTA0006**

Size: A4 Date: 2025-01-09

KiCad E.D.A. 8.0.5

Rev:  
Id: 2/2